

AIRPORT DIAGRAM

[USA] AFD-1443 [GAM]

FRITZLAR (ETHF)

FRITZLAR, GERMANY

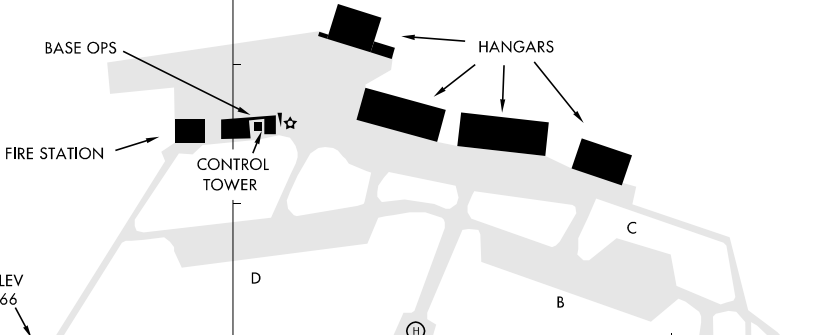
LANGEN RADAR
124.425 368.8
FRITZLAR TOWER ★
122.1 284.6



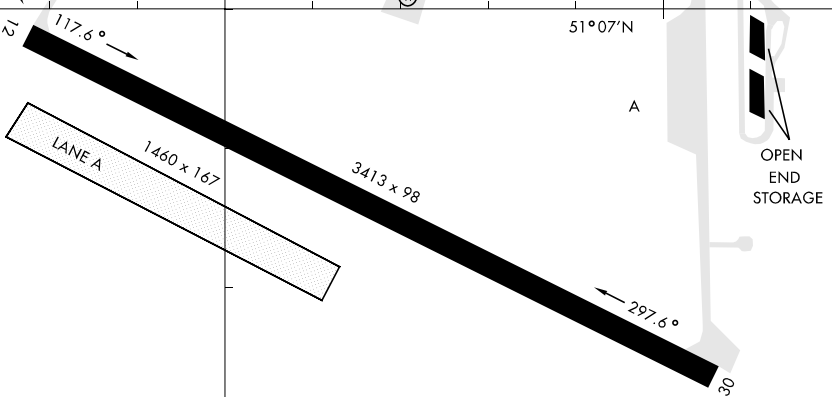
MARCH 2006

ANNUAL RATE OF CHANGE
0.1° E

▲
664



ELEV
566



51°07'N

FIELD
ELEV
566

09°17'E

WEIGHT BEARING
CAPACITY
UNKNOWN

AIRPORT DIAGRAM

FRITZLAR, GERMANY

FRITZLAR (ETHF)

Effective 31 AUG 2006 - 28 SEP 2006